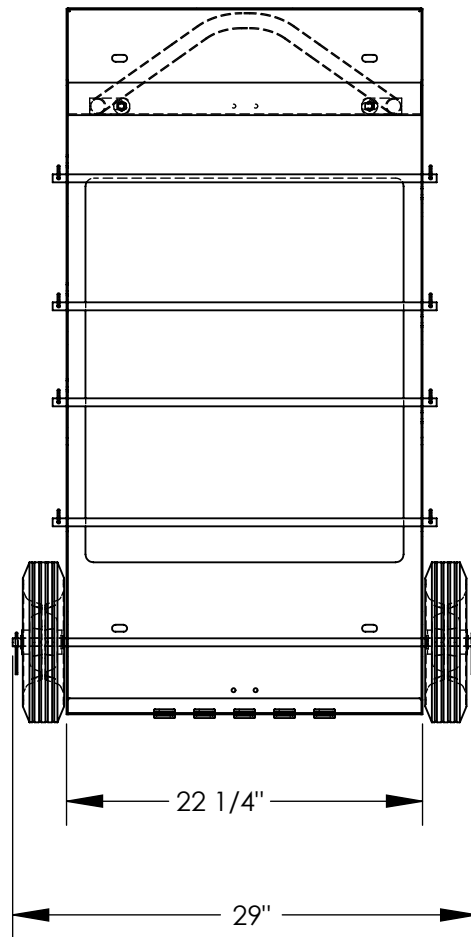


WIRE SPOOL RACK W/ WHEELS & HANDLE KIT - WIRE-D-WHK

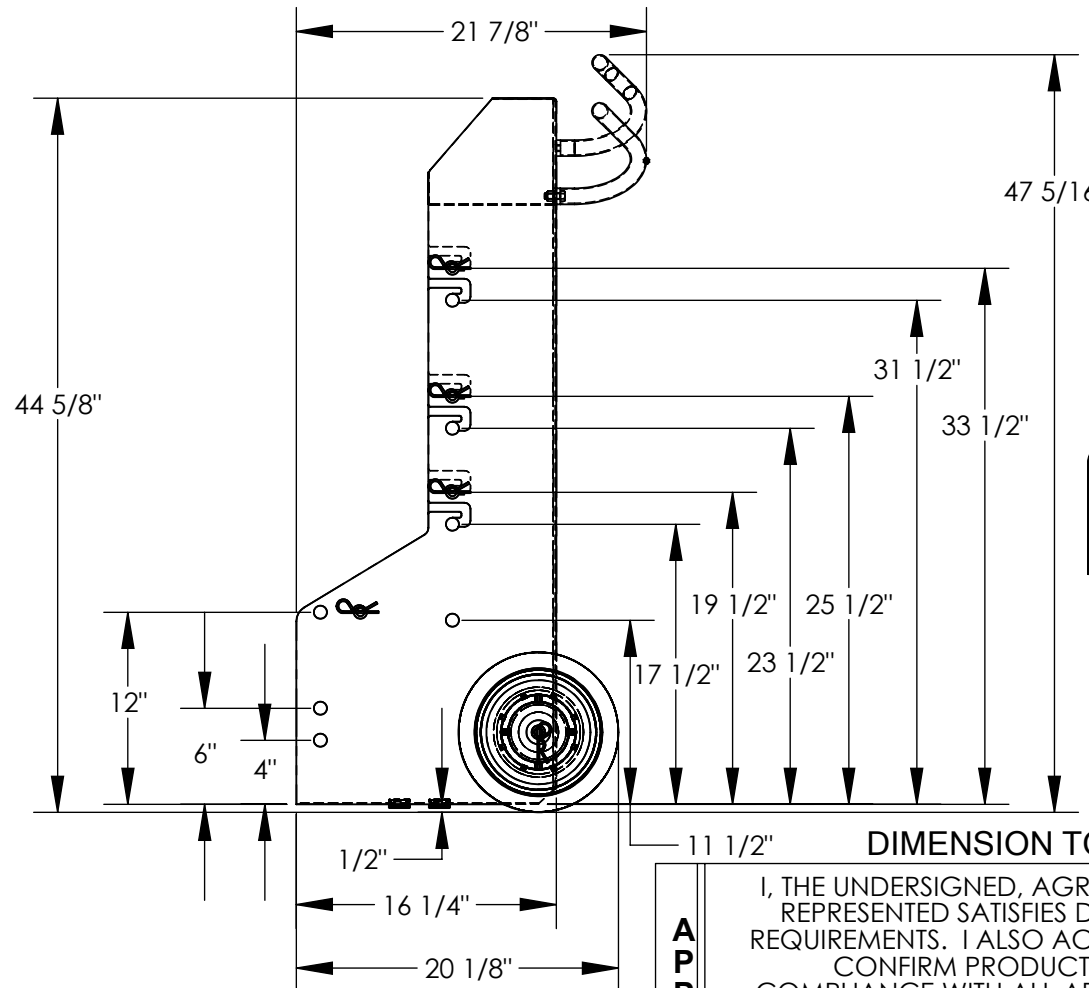
APPROX WEIGHT: 63.97 lbs.
DOES NOT INCLUDE WEIGHT OF POWER OR PACKAGING!!!

*** ANY ADDITIONS, DELETIONS, OR OMISSIONS MUST BE CORRECTED ON THIS DRAWING AS THIS DRAWING WILL BE CONSIDERED ALL INCLUSIVE ***
ALL GRAPHICS PROVIDED ARE FOR REFERENCE ONLY. IF CERTAIN DIMENSIONS ARE CRITICAL PLEASE VERIFY THOSE DIMENSIONS WITH YOUR SALESPERSON



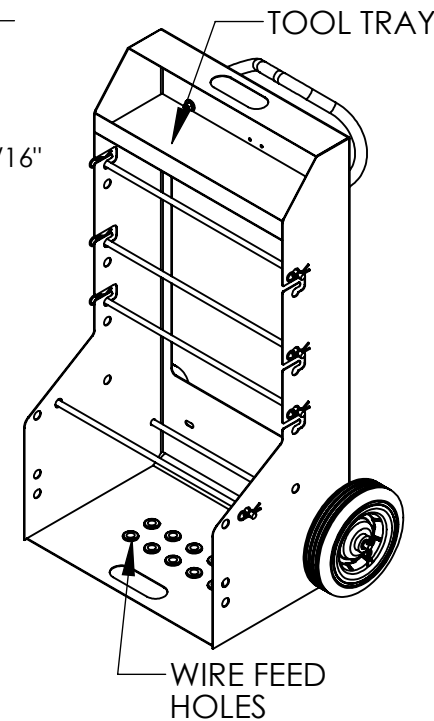
STANDARD FEATURES

MODEL NUMBER: WIRE-D-WHK
UNIT HAS 2 HOLES FOR HANDLE HEIGHT
OVERALL HEIGHT WITH HANDLE IN UPPER POSITION: 47 5/16"
OVERALL HEIGHT WITH HANDLE IN LOWER: 44 5/8"
OVERALL LENGTH: 21 7/8"
OVERALL WIDTH: 29"
UNIT COMES WITH 4 WIRE SPOOL AXLES
CAPACITY = 300 LBS
100 LBS PER SPOOL AXLE
TOUGH BAKED IN POWDER COATED BLUE FINISH



SPECIAL FEATURES

NONE



DIMENSION TOLERANCE $\pm 1/4"$

APPROVAL

I, THE UNDERSIGNED, AGREE THAT THE PRODUCT AS REPRESENTED SATISFIES DESIGN AND DIMENSION REQUIREMENTS. I ALSO ACKNOWLEDGE MY DUTY TO CONFIRM PRODUCT AND INSTALLATION COMPLIANCE WITH ALL APPLICABLE FEDERAL, STATE AND LOCAL REGULATIONS AND STANDARDS.
UNITS REQUIRING APPROVAL DRAWINGS OR MODIFIED ARE NON-RETURNABLE
[] As drawn [] As marked

Signed: _____ Date: _____

Printed Name: _____

LEAD TIME WILL START UPON RECEIPT OF SIGNED APPROVAL DRAWING

DISTRIBUTOR'S NAME:		P.O.#
VESTIL MANUFACTURING		X
DRAWN BY: KY		W.O.#
DATE: 9/13/2005		X
REFERENCE: X	SCALE: 1:12	SALES: X
QUOTED LEAD TIME: X	QUOTE # X	FILE NAME:
		31-007-077-001